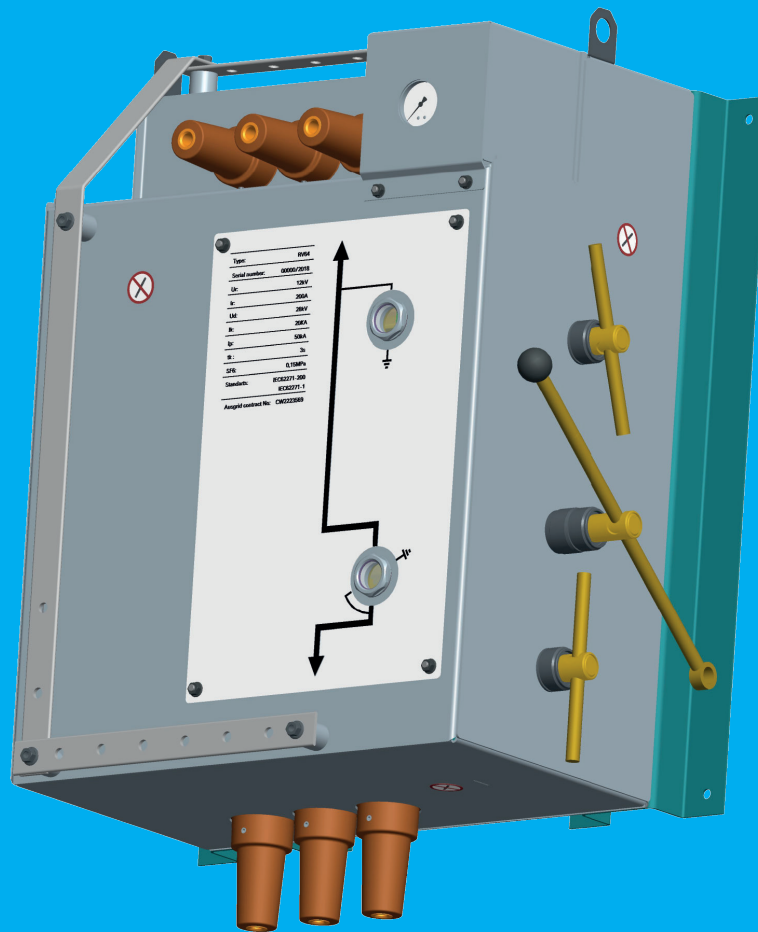


MEVOCO

MEDIUM VOLTAGE COMPONENTS

THE ONE STOP SHOP FOR MEDIUM VOLTAGE COMPONENTS



RV 64 Load Break Switch

12 kV isolating and earthing switches for underground substations

The RV 64 is a SF₆ gas insulated **compact submersible unit** with load break switch and **earthing switches on both sides** of the load break switch. So both sides of the unit can be earthed.

The unit is in accordance to IEC 62271-200, composed by one RV 50 three position load break switch and one RV 50 earthing switch, which stands for **extreme reliability and safety provisions**.

www.mevoco.be

Decription

The RV 64 is a SF₆ gas insulated compact submersible unit with load break switch and earthing switches on both sides of the load break switch. So both sides of the unit can be earthed. There is an interlock between earthing switches and load break switch. The unit is submersible at a dept of 3m. The manual opening of the load break switch can be performed when fully submersed.

The unit serves for application at 12kV with a nominal current of 200A. There are sight glasses for the position indication of the switches. A gass density SF₆ meter is present.

The unit is constituted by:

- Three-phase three position load break switch RV 50 of the class E3, M1 according to IEC 62271-103, 17,5 kV - 630 A - 20 kA and earthing switch with a making capacity of 50 kA.
- Three-phase earthing switch RV 50 of the class E2, M1 according to IEC 62271-103, 17,5 kV - 630 A - 20 kA, with a making capacity of 50 kA.
- Interlock between earthing switches and load break switch.
- Stainless steel tank filled with SF₆ at 0.15 MPa.

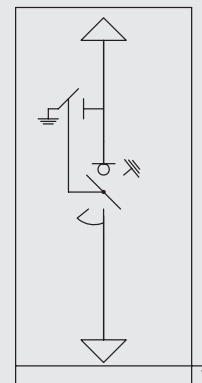
Technical Specifications

Rated Voltage :	12 kV
Rated current :	630 A
Short-time current :	20 kA
Peak withstand current :	50 kA
Time of short circuit current duration :	3 s
Power frequency voltage Ud :	28 kV 1 min
Impulse lightning voltage Up :	75 kV
Complying standards :	IEC 62271-1
	IEC 62271-100
	IEC 62271-102
	IEC 62271-103
	IEC 62271-200
Weight of a standard cubicle :	150 kg
Max section of medium voltage cable :	240 mm ²
Cable connector interface :	type C (straight or elbow)
Submersible operation at depth of water :	3 m

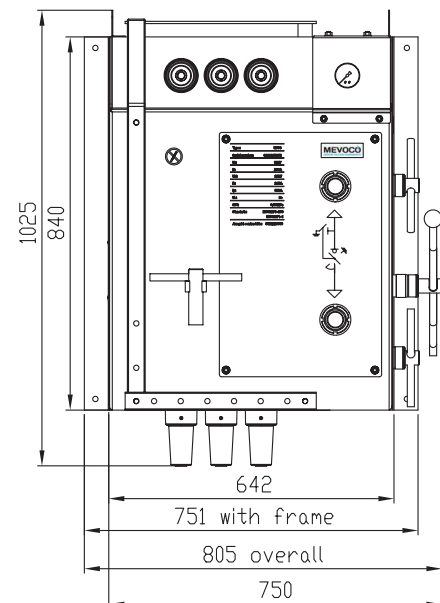
The advantages

Maintenance friendly and fully integrated load break switch and earthing switches on both sides.

- Both sides of the unit can be earthed.
- Fully submersible.
- Sight glasses for the position indication.
- Gass density SF₆ meter.



Single line scheme.



Fore more information on RV 64 or our other products, contact our sales team: sales@mevoco.be

MEVOCO

MEDIUM VOLTAGE COMPONENTS

Industrielaan 33A, 9800 Deinze, Belgium

☎ +32 (0)9/380.30.49

www.mevoco.be

info@mevoco.be

[in](#) Mevoco



DWG40318

- THE ONE STOP SHOP FOR MEDIUM VOLTAGE COMPONENTS -